

## WTH-SG/RJ45-S Surge Protective Device for Ethernet & PoE

**Description**

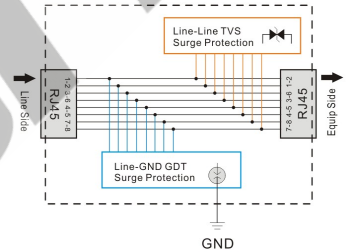
WTH-SG/RJ45-S surge protective devices are applied to surge protection for data communication systems. WTH-SG/RJ45-S is connected in series in CAT6 network cables, compatible with 10/100/1000/10000 (10G) Base-T Ethernet systems, protecting the equipment which are connected to the network (e.g. computers, routers, PoE devices, etc.) against damages by over-voltage surge. (Standards compliance: IEC 61000-4-5: Lighting @ 8/20us, IEC61643-21, UL497B, IEEE 802.3af PoE/802.3 at PoE Plus)

**Technical Data**

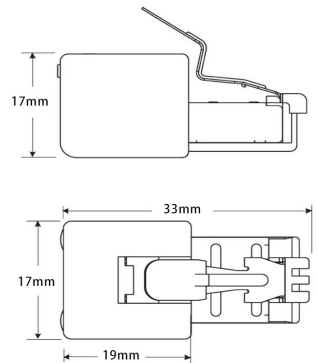
Model	WTH-SG/RJ45-S
Ordering code	US121101
Nominal operating voltage (Un)	5V
Max. continuous operating voltage (UC)	8V
Total Discharge Current (Imax @8/20µs)	0.3kA x 8 (line to GND)
Voltage protection level (Up @Line-GND)	45V @ 0.3kV (8/20)
Data Rate	100/1000Mbps
Bandwidth (2db) per pair	>250MHz
Insertion Loss	<0.2dB @100MHz
Pairs Protected	1-2,3-6,4-5,7-8
Protective Element	GDT, TVS
Response Time (tA)	<100ns (line-GND), <1ns (line-line)
Connection mode	Male RJ45 / Female RJ45
Temperature Range	- 40° to 176°F (-40° to 80°C)
Relative Humidity	0% to 95% noncondensing
Maximum Operating Altitude	10,000 feet (3000m)
Net Weight Per Unit	5g
Package Dimension (WxDxH)	1.3"×0.7"×0.7" (33mm×17mm×17mm)



**Connection Diagram**



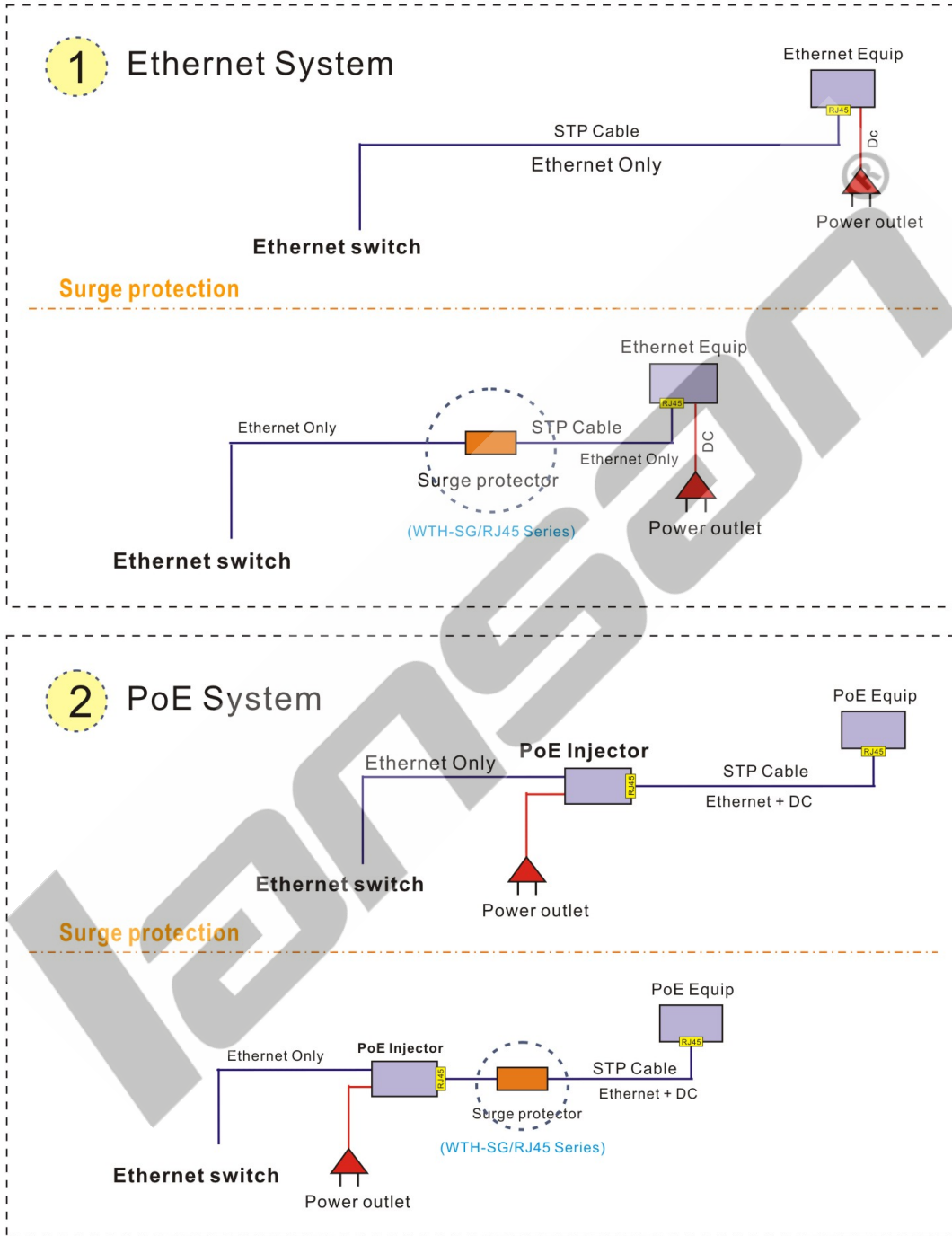
**Dimensions**



Visit us at



Application



Direct in Line Plug-in

- 1. Mini design
- 2. Protect routers or computers
- 3. Durable stainless steel accessories
- 4. Gold plated contact provides better connection

Similar Products



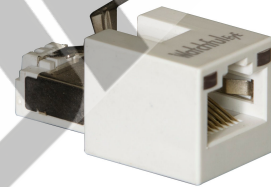
WTH-SG/RJ45  
DIN-Rail Mounted



WTH-SG/RJ45-KE  
Outdoor Wall  
Mounted



WTH-SG/RJ45-KG  
Outdoor Water-Proof Direct in Line Plug-in



WTH-SG/RJ45-KH-C/24  
24 Port, 19-inch Rack Mounted